

ARO

Powder Transfer System



For the Consistent Trouble Free Transfer of Powders up to 50-lbs. Per Cubic Foot, 800 Kgs. Per Cubic Meter, Dry-Weight. *Including: Carbon Black, Expanded Mica, Silicones, Acrylic Resins and Pharmaceuticals*

Transfer and handle your dry process powders quicker, cleaner and at a fraction of the cost associated with installed "systems".

Replace Manual Powder Processes.

- **Reduce Airborne Contamination** - With direct transfer from the powder container to your recipe.
- **Unique Patented Air-Induction System** - Reduces the possibility of powder pack-out.
- **Economical and Simple** - Unlike large, complex systems.
- **Portable** - Can be moved from site to site.

See reverse side for ordering information.

Delay Timer

Built-in timer insures proper fluidization of the powder before start-up..

Air Filter/Regulator

Included with pump.

Main Air Control Valve

Directly controlled by the Delay Timer, main start-up valve supplies air pressure directly to the pump's major air valve.

Pump Major Air Valve

ARO's Air valve features patented, stall-free design.

Suction Probe

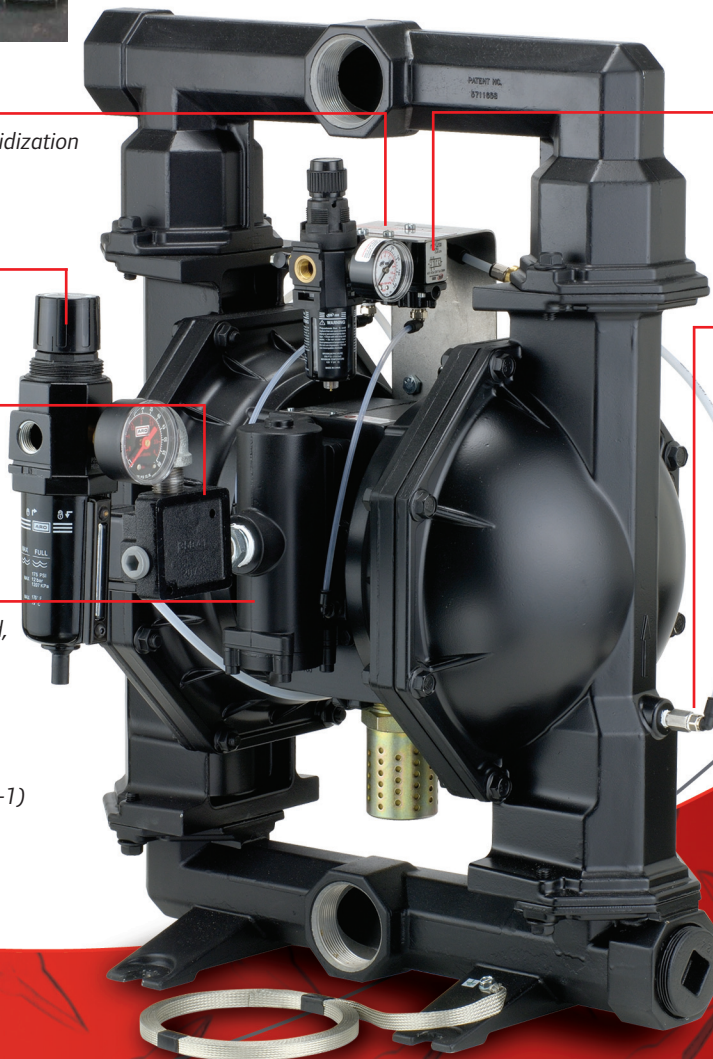
Optional suction probe (67183-1) available. See reverse side for ordering information.

4-Way Air-Efficiency Valve

Reduces the amount of air or other inert gas required for operation. A critical cost and energy-saving feature.

Air Induction Valve

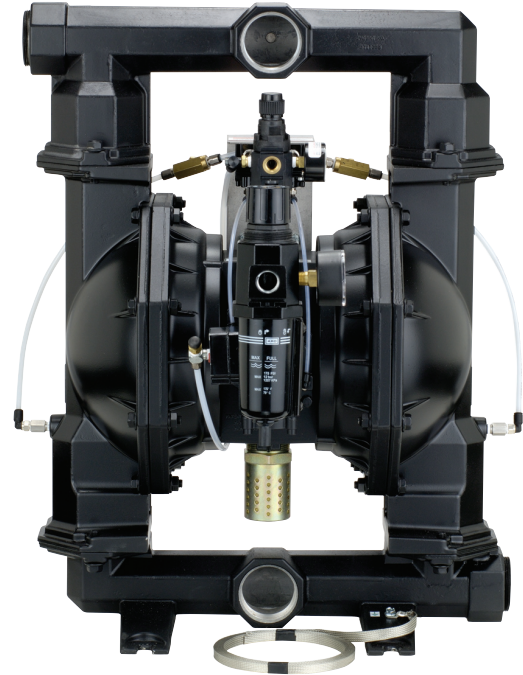
Special valve increases air velocity for optimum powder aeration and diffusion.





Performance Specifications

Port:	2" and 3"	
Material:	Aluminum and Stainless Steel	
Max. air inlet pressure psi (bar):	100 (6.9)	
Max. fluidizing pressure psi (bar):	50 (3.4)	
Suspended solids max. dia. in. (mm):	1/4" (6.4) PP20A Models 3/8" (9.5) PP30A Models	
Weight lbs (kg):	PP20A-XAX-AAA	99.4 (45.1)
	PP20A-XSX-AAA	157.8 (71.6)
	P30A-XAX-AAA	137.5 (62.4)
	PP30A-XSX-AAA	236.8 (107.4)



Ordering Menu

PP20A	-	X	X	X	-	X	X	X	X
Model Series		Connection	Wetted Parts	Hardware		Seat Material		Diaphragm Material	
2 2" Port		A 2-11-1/2 N.P.T.F. - 1 B Rp2(2-11 BSP) C Tri-Clamp	A Aluminum S Stainless Steel	P Plated Steel S Stainless Steel		A Santoprene S Stainless Steel		A Santoprene M Medical Grade Santoprene	
								Ball Material	
								A Santoprene M Medical Grade Santoprene	
PP30A	-	X	X	X	-	A	A	A	A
Model Series		Connection	Wetted Parts	Hardware		Seat Material		Diaphragm Material	
3 3" Port		A 3-8 N.P.T.F. - 1 B Rp3(3-11 BSP)	A Aluminum S Stainless Steel	P Carbon Steel S Stainless Steel		A Santoprene		A Santoprene	
								Ball Material	
								A Santoprene	

Accessories*

Service Repair Kits | *Kit No. 637421 (air section)*
Kit No. 637303-XX (fluid section for PP30A)
Kit No. 637309-XX (fluid section for PP20A)

Suction Probe | No. 67183-1

Aluminum Suction Probe - Includes all necessary pump attachment hardware and 10 ft. of groundable hose. Probe can be used with both 2" and 3" ported powder pumps.

*Please note pumps are not included with these kits.



Ingersoll Rand Industrial Technologies provides products, services and solutions that enhance our customers' energy efficiency, productivity and operations. Our diverse and innovative products range from complete compressed air systems, tools and pumps to material and fluid handling systems and environmentally friendly microturbines. We also enhance productivity through solutions created by Club Car®, the global leader in golf and utility vehicles for businesses and individuals.

www.irtools.com/aro